



# ClearAccent

## RS060B LED5-36-/830 PSR II WH

36 ° - 830 warm white - Power supply unit regulating - Safety class II - White

ClearAccent is an entry-level recessed spot range designed to replace halogen-based luminaires. Its attractive price and high lumen per watt ratio make the decision to switch to LED an easy one. The luminaire's compact design, with built-in driver, is suitable for a wide variety of applications. The dimensions of the fixation hole meet the old halogen-based standard of 68 mm, which makes retrofitting possible. Thanks to the screw-in connectors, installation is easy and safe.

### Product data

General Information		Flammability mark	-
Beam angle of light source	36 °	CE mark	CE mark
Light source color	830 warm white	ENEC mark	-
Cap-Base	- [-]	UL mark	-
Light source replaceable	No	Warranty period	3 years
Number of gear units	-	Remarks	*-Per Lighting Europe guidance paper "Evaluating performance of LED based luminaires - January 2018": statistically there is no relevant difference in lumen maintenance between B50 and for example B10. Therefore the median useful life (B50) value also represents the B10 value.
Gear	-	Constant light output	No
Driver/power unit/transformer	Power supply unit regulating	Number of products on MCB of 16 A type	48
Driver included	Yes	B	
Optic type	Symmetrical	EU RoHS compliant	No
Optical cover/lens type	Clear flat		
Luminaire light beam spread	36°		
Control interface	Analog		
Connection	Screw connection block 3-pole		
Cable	-		
Protection class IEC	Safety class II		
Glow-wire test	Temperature 650 °C, duration 30 s		

## Operating and Electrical

Input Voltage	220-240 V
Input Frequency	50 to 60 Hz
Control signal voltage	-
Inrush current	2 A
Inrush time	82 ms
Power Factor (Min)	0.9

## Controls and Dimming

Dimmable	Yes
----------	-----

## Mechanical and Housing

Housing Material	Aluminum die cast
Reflector material	Polycarbonate aluminum coated
Optic material	Polycarbonate
Optical cover/lens material	Polycarbonate
Fixation material	-
Optical cover/lens finish	Clear
Overall height	55 mm
Overall diameter	75 mm
Color	White
Dimensions (Height x Width x Depth)	55 x NaN x NaN mm (2.2 x NaN x NaN in)

## Approval and Application

Ingress protection code	IP20 [ Finger-protected]
Mech. impact protection code	IK02 [ 0.2 J standard]

## Initial Performance (IEC Compliant)

Initial luminous flux (system flux)	500 lm
Luminous flux tolerance	+/-10%
Initial LED luminaire efficacy	83 lm/W

Init. Corr. Color Temperature	3000 K
Init. Color Rendering Index	≥80
Initial chromaticity	(0.43, 0.40) SDCM <3
Initial input power	6 W
Power consumption tolerance	+/-10%

## Over Time Performance (IEC Compliant)

Control gear failure rate at median useful life 50000 h	7.5 %
Lumen maintenance at median useful life* 50000 h	L65

## Application Conditions

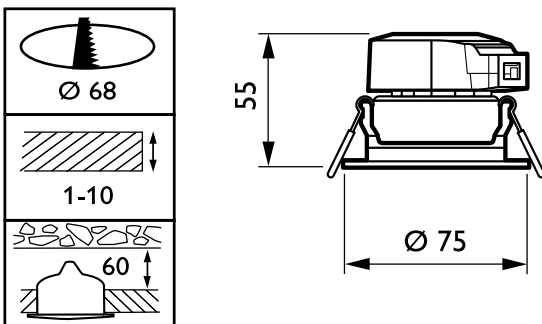
Ambient temperature range	0 to +40 °C
Performance ambient temperature Tq	25 °C
Maximum dim level	10% (depends on dimmer, ELV)
Suitable for random switching	No

## Product Data

Full product code	871869607267799
Order product name	RS060B LED5-36-/830 PSR II WH
EAN/UPC - Product	8718696072677
Order code	910503910182
Numerator - Quantity Per Pack	1
Numerator - Packs per outer box	24
Material Nr. (12NC)	910503910182
Net Weight (Piece)	0.100 kg

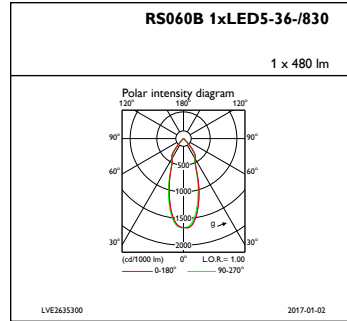
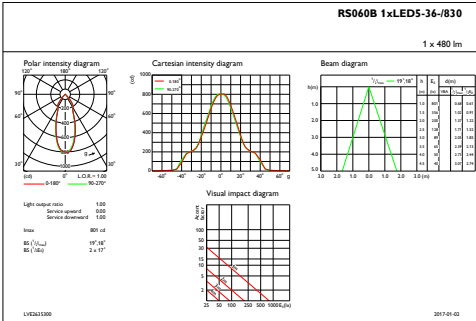


## Dimensional drawing



ClearAccent RS060B/RS061B

Photometric data



IFAS1\_RS060B1xLED5-36-830

IFPC1\_RS060B1xLED5-36-830

